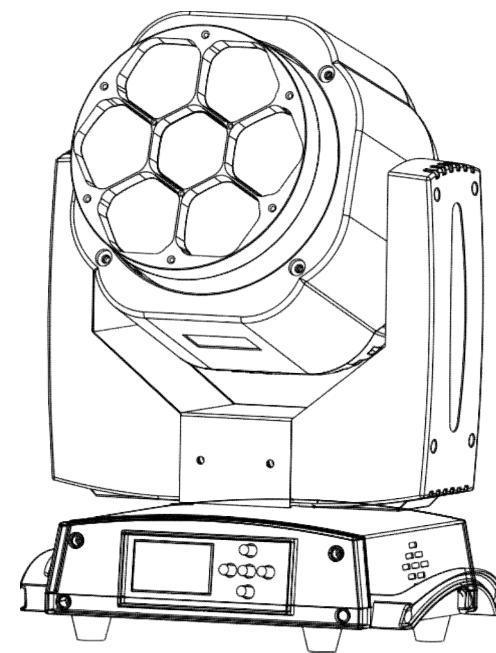


BLUR 715



CE F IP20 LED 0.2m t_a 40°C t_c 150°C

User Manual I

KEEP THIS MANUAL FOR FUTURE NEEDS

1 SAFETY INSTRUCTIONS



CAUTION

Be careful with your operations. With a dangerous voltage you can suffer a dangerous electric shock when touching wires!

This device has left the factory in perfect condition. In order to maintain this condition and to ensure a safe operation, it is absolutely necessary for the user to follow the safety instructions and warning notes written in this user manual.



IMPORTANT

Damages caused by the disregard of this user manual are not subject to warranty. The dealer will not accept liability for any resulting defects or problems.

If the device has been exposed to temperature changes due to environmental changes, do not switch it on immediately. The arising condensation could damage the device. Leave the device switched off until it has reached room temperature.

This device falls under protection-class I. Therefore it is essential that the device be earthed.

The electric connection must carry out by qualified person. The device shall only be used with rated voltage and frequency.

Make sure that the available voltage is not higher than stated at the end of this manual.

Make sure the power cord is never crimped or damaged by sharp edges. If this would be the case, replacement of the cable must be done by an authorized dealer.

Always disconnect from the mains, when the device is not in use or before cleaning it. Only handle the power cord by the plug. Never pull out the plug by tugging the power cord.

During initial start-up some smoke or smell may arise. This is a normal process and does not necessarily mean that the device is defective, it should decrease gradually.

Please don't project the beam onto combustible substances.

Fixtures cannot be installed on combustible substances, keep more than 50cm distance with wall for smooth air flow, so there should be no shelter for fans and ventilation for heat radiation.

If the external flexible cable or cord of this luminaire is damaged, it shall be exclusively replaced by the manufacturer or his service agent or a similar qualified person in order to avoid a hazard.

10 MAINTENANCE AND CLEANING

The following points have to be considered during the inspection:

- 1) All screws for installing the devices or parts of the device have to be tightly connected and must not be corroded.
- 2) There must not be any deformations on the housing, color lenses, fixations and installation spots (ceiling, suspension, trussing).
- 3) Mechanically moved parts must not show any traces of wearing and must not rotate with unbalances.
- 4) The electric power supply cables must not show any damage, material fatigue or sediments.

Further instructions depending on the installation spot and usage have to be adhered by a skilled installer and any safety problems have to be removed.



CAUTION

Disconnect from mains before starting maintenance operation.



In order to make the lights in good condition and extend the life time, we suggest a regular cleaning to the lights.

- 1) Clean the inside and outside lens each week to avoid the weakness of the lights due to accumulation of dust.
- 2) Clean the fan each week.
- 3) A detailed electric check by approved electrical engineer each three month, make sure that the circuit contacts are in good condition, prevent the poor contact of circuit from overheating.

We recommend a frequent cleaning of the device. Please use a moist, lint-free cloth. Never use alcohol or solvents.

There are no serviceable parts inside the device. Please refer to the instructions under "Installation instructions".

Should you need any spare parts, please order genuine parts from your local dealer.

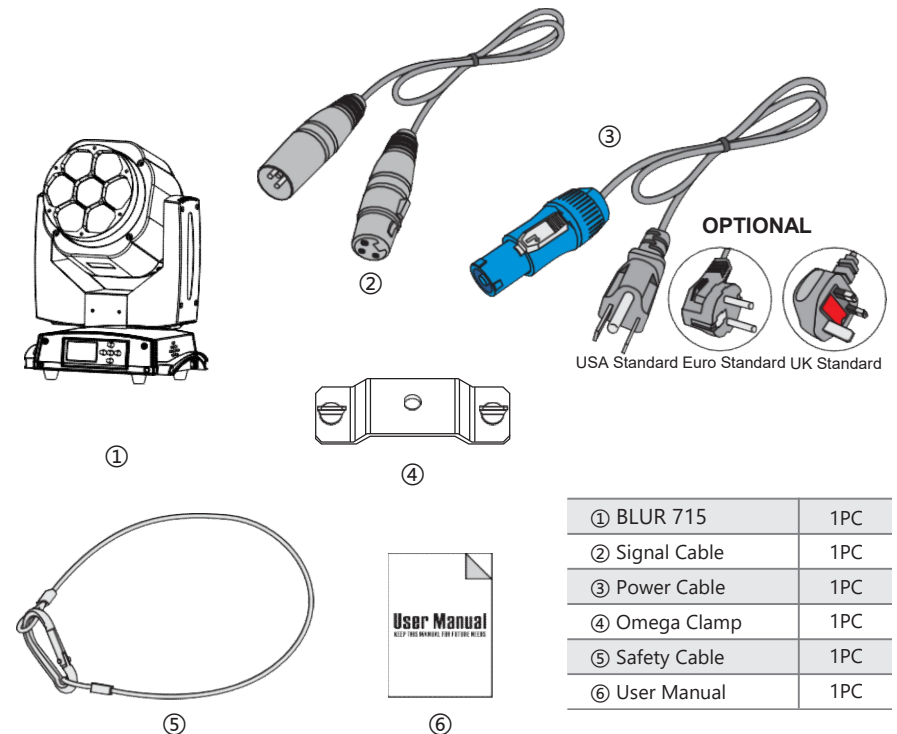
		23	23	37	LED1 Green	0-255	LED 1 Green dimmer
		24	24	38	LED1 Blue	0-255	LED 1 Blue dimmer
			25		LED1 White	0-255	LED 1 White dimmer
		25	26	39	LED2 Red	0-255	LED 2 Red dimmer
		26	27	40	LED2 Green	0-255	LED 2 Green dimmer
		27	28	41	LED2 Blue	0-255	LED 2 Blue dimmer
			29		LED2 White	0-255	LED 2 White dimmer
		28	30	42	LED3 Red	0-255	LED 3 Red dimmer
		29	31	43	LED3 Green	0-255	LED 3 Green dimmer
		30	32	44	LED3 Blue	0-255	LED 3 Blue dimmer
			33		LED3 White	0-255	LED 3 White dimmer
		31	34	45	LED4 Red	0-255	LED 4 Red dimmer
		32	35	46	LED4 Green	0-255	LED 4 Green dimmer
		33	36	47	LED4 Blue	0-255	LED 4 Blue dimmer
			37		LED4 White	0-255	LED 4 White dimmer
		34	38	48	LED5 Red	0-255	LED 5 Red dimmer
		35	39	49	LED5 Green	0-255	LED 5 Green dimmer
		36	40	50	LED5 Blue	0-255	LED 5 Blue dimmer
			41		LED5 White	0-255	LED 5 White dimmer
		37	42	51	LED6 Red	0-255	LED 6 Red dimmer
		38	43	52	LED6 Green	0-255	LED 6 Green dimmer
		39	44	53	LED6 Blue	0-255	LED 6 Blue dimmer
			45		LED6 White	0-255	LED 6 White dimmer
		40	46	54	LED7 Red	0-255	LED 7 Red dimmer
		41	47	55	LED7 Green	0-255	LED 7 Green dimmer
		42	48	56	LED7 Blue	0-255	LED 7 Blue dimmer
			49		LED7 White	0-255	LED 7 White dimmer

2 UNPACKING

Thank you for choosing our BLUR 715. For your own safety, please read this manual before installing the device. This manual covers the important information on installation and applications. Please install and operate the fixture with following instructions. Meanwhile, please keep this manual well for future needs.

The BLUR 715 is made of a new type of high temperature strength of engineering plastics and cast aluminum casing with nice outlook. The fixture is designed and manufactured strictly following CE standards, complying with international standard DMX512 protocol. It's available independently controlled and linkable with each other for operation. And it is applicable for large-scale live performances, theater, studio, nightclubs and discos.

The BLUR 715 adopts 7*15W OSRAM OSTAR 4-IN-1 RGBW LEDs which features high brightness and stability. Please carefully unpack it when you receive the fixture and check whether it is damaged during the transportation. And please check whether the following items are included inside the box:



3 FEATURES & SPECIFICATIONS

Features

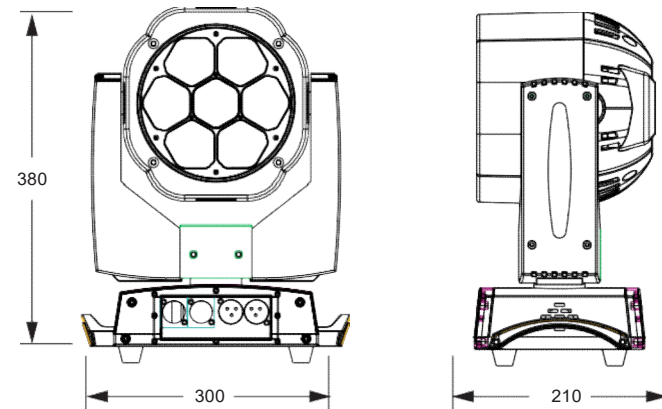
- 7*15W OSRAM OSTAR 4-IN-1 RGBW LEDs
- 50000 hours life span and low power consumption
- Each color and each LED controllable individually
- 8/16 bit smooth and precise resolution for PAN/TILT movement
- Scan position memory, auto reposition after unexpected movement
- Specific high precision optic lens
- Variable direction rotating front lens
- 4°-60° Smooth electronic linear zoom
- Brilliant hard beam effects at 4°
- Pure and even wash coverage effects at 60°
- Petal-like micro beam effects
- Pixel patterning macro effects
- Built-in running programs
- Built-in color and graphic effect macros
- 0-100% linear LED dimmer
- 1-25T/sec high speed LED shutter/strobe effect with variable speed
- Preset variable/random strobe and dimming pulse effect
- 21/35/42/49/56 DMX channels USITT DMX-512
- DMX512, master-slave, and sound activated controllable or auto operation
- DMX recorder and edit function integrated
- High resolution graphic LCD display
- POWERCON connector IN
- 3-pin XLR connectors IN/OUT
- Aluminium structure with die-cast plastic cover
- Two side handles for transportation
- High efficiency low noise cooling system
- Constant temperature readout and management function
- 45°C max ambient temperature
- IP20 protection rating
- 55dB at 3'dB rating
- 1*1/4 turn fastening Omega clamp
- 1*Safety attachment point

Specifications

- Input Voltage:** AC90-260V 50/60Hz
- LED Quantities:** 7*15W OSRAM OSTAR 4-IN-1 RGBW LEDs
- Control Signal:** DMX512, master-slave and sound activated or auto operation
- Control Channel:** 21/35/42/49/56 DMX channels USITT DMX-512
- Power Consumption:** 150W
- Dimensions:** 210(D)*300(W)*380(H)mm
- Packing Dimensions:** 335(D)*460(W)*375(H)mm
- Net Weight:** 6.8kg
- Gross Weight:** 8kg

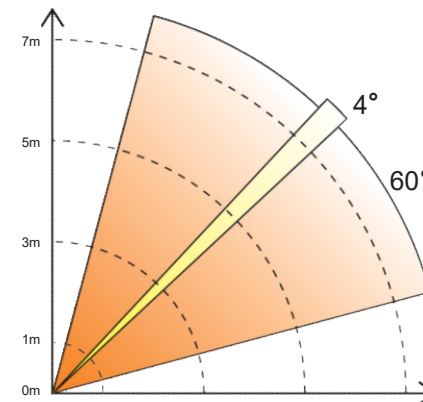
16	16	16	16	16	TILT	0-255	0~230° TILT movement
17	17	17	17	17	TILT Fine	0-255	Fine control of TILT
18	18	18	18	18	No Function		
19	19	19	19	19	Reset	0-64	No Function
						65-128	Auto running
						129-192	Sound control
						193-255	Reset
20	20	20	20	20	Zoom	0-255	0-100% Linear zoom
21	21	21	21	21	Zoom Rotation	0-127	Rotation adjustment
						128-191	Forward rotation from slow to fast
						192-255	Backward rotation from slow to fast
22	22	22	22	22	Internal Programs	0-20	No Function
						21-27	Internal Program 1
						28-35	Internal Program 2
						36-43	Internal Program 3
						44-51	Internal Program 4
						52-59	Internal Program 5
						60-251	Internal Program 6-29 (One program by each 7 value)
						252-255	Internal Program 30
23			23		Speed	0-255	Speed control of Internal Program from fast to slow
24			24		No Function		
25			25		Foreground Red	0-255	Foreground Red
26			26		Foreground Green	0-255	Foreground Green
27			27		Foreground Blue	0-255	Foreground Blue
28			28		Foreground White	0-255	Foreground White
29			29		Foreground Dimmer	0-255	Foreground Dimmer
30			30		Background Dimmer	0-255	Background Dimmer
31			31		No Function		
32			32		No Function		
33			33		Foreground Strobe	0	No Function
						1-255	Foreground strobe effect
34			34		Background Strobe	0	No Function
						1-255	Background strobe effect
35	35	35	35	35	Background Color Selection	0-28	No Function
						29-57	RED
						58-86	gREEN
						87-115	bLUE
						116-144	White
						145-173	Red+Green
						174-202	Red+Blue
						203-231	Green+Blue
						232-255	Red+Green+Blue
		22	22	36	LED1 Red	0-255	LED1 Red dimmer

						115-116	Orange
						117	Light Rose
						118	English Rose
						119	Light Salmon
						120	Middle Rose
						121-122	Dark Pink
						123-124	Magenta
						125	Peacock Blue
						126	Med Blu Green
						127	Steel Blue
						128	Light Blue
						129-130	Dark Blue
						131-133	Leaf Green
						134-135	Dark Green
						136-137	Mauve
						138-141	Bright Pink
						142-144	Medium Blue
						145	Deep Golden Amber
						146	Pale Lavender
						147-148	Special lavender
						149-150	Primary Green
						151-156	Bright Blue
						157-161	Apricot
						162-167	Pale Gold
						168-171	Deep Orange
						172-173	Bastard Amber
						174	Flame Red
						175-178	Daylight Blue
						179	Lilac Tint
						180-183	Deep lavender
						184-190	Dark Steel Blue
						191-206	Congo Blue
						207	Alice Blue
						208	Dirty White
						209-255	White
						0	LED ON
11	11	11	11	11	Strobe	1-99	Strobe effect (Slow)
						100-127	Random strobe effect
						128-255	Strobe effect (Slow to fast)
12	12	12	12	12	Dimmer	0-255	0-100% Linear dimmer
13	13	13	13	13	Dimmer Fine	0-255	Fine control of dimmer
14	14	14	14	14	PAN	0-255	0~540° PAN movement
15	15	15	15	15	PAN Fine	0-255	Fine control of PAN



4 PHOTOMETRIC DATA

PHOTOMETRIC BEAM ANGLE DATA (FC=LUX × 0.0929)



< 4° >

R	5610	1430	550	990
G	18100	3960	1430	350
B	19500	3740	1330	750
W	23900	5280	1870	770
RGBW	64400	13800	4990	2540

< 60° >

R	350	60	30	10
G	1200	100	80	60
B	1410	120	100	70
W	1920	130	110	80
RGBW	4300	500	300	200

5 OPERATION INSTRUCTIONS

- The moving head is for beam effect for on-site decoration purpose.
- Don't turn on the fixture if it's been through severe temperature difference like after transportation because it might damage the light due to the environment changes. So make sure to operate the fixture until it is in normal temperature.
- This light should be keep away from strong shaking during any transportation or movement.
- Don't pull up the light by only the head, or it might cause damages to the mechanical parts.
- Don't expose the fixture in overheat, moisture or environment with too much dust when installing it. And don't lay any power cables on the floor. Or it might cause electronic shock to the people.
- Make sure the installation place is in good safety condition before installing the fixture.
- Make sure to put the safety chain and check whether the screws are screwed properly when installing the fixture.
- Make sure the lens are in good condition. It's recommended to replace the units if there are any damages or severe scratch.
- Make sure the fixture is operated by qualified personnel who knows the fixture before using.
- Keep the original packages if any second shipment is needed.
- Don't try to change the fixtures without any instruction by the manufacturer or the appointed repairing agencies.
- It is not in warranty range if there are any malfunctions from not following the user manual to operate or any illegal operation, like shock short circuit, electronic shock, lamp broke, etc.

6 INSTALLATIONS

Cautions: For added protection mount the fixtures in areas outside walking paths, seating areas, or in areas were the fixture might be reached by unauthorized personnel.

Before mounting the fixture to any surface, make sure that the installation area can hold a minimum point load of 10 times the device's weight.

Fixture installation must always be secured with a secondary safety attachment, such as an appropriate safety cable.

9 DMX CHANNELS

21CH	35CH	42CH	49CH	56CH	Function	Values	Description
1	1	1	1	1	Red	0-255	0-100% Linear red dimmer
2	2	2	2	2	Red Fine	0-255	Fine control of red
3	3	3	3	3	Green	0-255	0-100% Linear green dimmer
4	4	4	4	4	Green Fine	0-255	Fine control of green
5	5	5	5	5	Blue	0-255	0-100% Linear blue dimmer
6	6	6	6	6	Blue Fine	0-255	Fine control of blue
7	7	7	7	7	White	0-255	0-100% Linear white dimmer
8	8	8	8	8	White Fine	0-255	Fine control of white
9	9	9	9	9	Linear CTO	0-255	Linear color temperature from 2500K-8000K
						0-009	Macro color OFF
						10	Red
						11	Green
						12	Blue
						13	Cyan
						14	Yellow
						15	Magenta
						16	White 7000 K
						17	White 3700 K
						18	White 5000 K
						19	Black
						020-022	Medium Yellow
						023-026	Straw Tint
						027-028	Surprise Peach
						29	Fire
10	10	10	10	10	Macro Color	30	Medium Amber
						31	Gold Amber
						032-034	Dark Amber
						035-044	Sunrise Red
						45	Light Pink
						046-048	Medium Pink
						049-061	Pink Carnation
						062-067	Light Lavender
						068-077	Lavender
						078-088	Sky Blue
						089-099	Just Blue
						100-109	Dark yellow green
						110-111	Spring Yellow
						112	Light Amber
						113	Straw
						114	Deep Amber

8 MENU OPERATIONS

MENU	DMX Settings	DMX512 Address	001-512	
		Channel settings	21CH/35CH/42C H/49CH/56CH	
	Run Mode	DMX		
		Slow		
		Fast		
		Sound		
		Manual		
	Invert PAN/TILT	Invert PAN	Yes/No	
		Invert TILT	Yes/No	
	Display Set	Invert Word	Yes/No	
		English/Chinese	CH/EN	
		LCD Backlight On	Yes/No	
	Manual Set	PAN	0-255	
		TILT	0-255	
		ROTATION	0-255	
		ZOOM	0-255	
		DIM	0-255	
		STROBE	0-255	
		DIM_R	0-255	
		DIM_G	0-255	
DIM_B		0-255		
DIM_W		0-255		
Sound Sense	Sound Sense	0%-100%		
System Set	System information	LED NTC:		
		The version:		
	Default Settings?	Default Settings: Yes?		
	Code Settings	Enter your 4 codes!	PAN_INIT: (0-255)	
			TILT_INIT:(0-255)	
			ROTA_INIT: (0-255)	
			ZOOM_INIT (0-255)	
SET_R (0-255)				
		SET_G (0-255)		
		SET_B (0-255)		
		SET_W (0-255)		
Reset	Reset System: Yes?	Resetting...		

Never stand directly below the device when mounting, removing, or servicing the fixture.

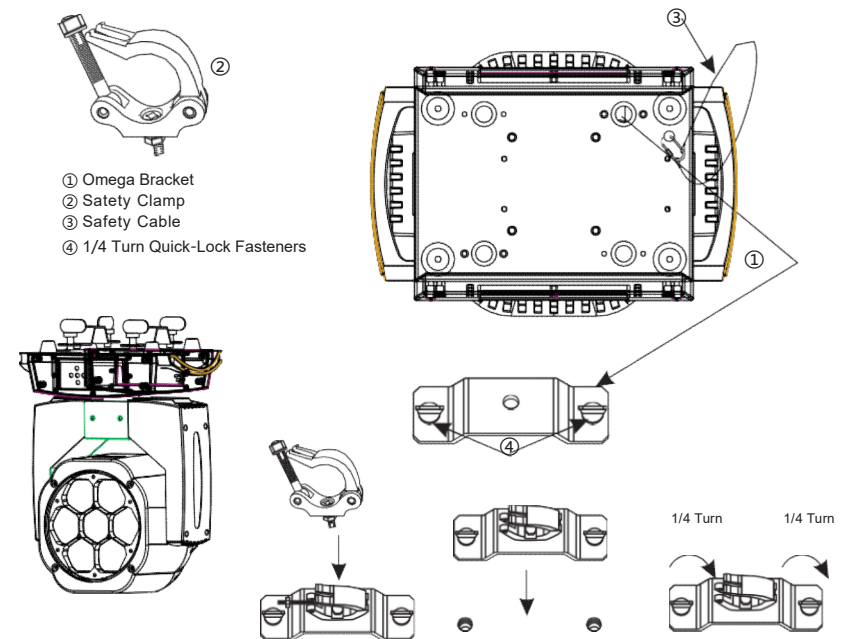
from a ceiling, or set on a flat level surface (see illustration below). Be sure this fixture is kept at least 0.5m (1.5 ft) away from any flammable materials (decoration etc.).

Always use and install the supplied safety cable as a safety measure to prevent accidental damage and/or injury in the event the clamp fails.

Mounting points: Overhead mounting requires extensive experience, including amongst others calculating working load limits, a fine knowledge of the installation material being used, and periodic safety inspection of all installation material and the fixture. If you lack these qualifications, do not attempt the installation yourself. Improper installation can result in bodily injury.

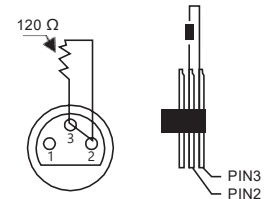
Be sure to complete all rigging and installation procedures before connecting the main power cord to the appropriate wall outlet.

Clamp Mounting: The BLUR 715 provides a unique mounting bracket assembly that integrates the bottom of the base, and the safety cable rigging point in one unit (see the illustration below). When mounting this fixture to truss be sure to secure an appropriately rated clamp to the included omega bracket using a M10 screw fitted through the center hole of the "omega bracket". As an added safety measure be sure to attached at least properly rated safety cable to the fixture using on of the safety cable rigging point integrated in the base assembly.



Regardless of the rigging option you choose for your BLUR 715, always be sure to secure your fixture with a safety cable. The fixture provides a built-in rigging point for a safety cable on the hanging bracket as illustrated above. Be sure to only use the designated rigging point for the safety cable and never secure a safety cable to a carrying handle.

For installations where the DMX cable has to run a long distance or is in an electrically noisy environment, such as in a discotheque, it is recommended to use a DMX terminator. This helps in preventing corruption of the digital control signal by electrical noise. The DMX terminator is simply an XLR plug with a 120 Ω resistor connected between pins 2 and 3, which is then plugged into the output XLR socket of the last fixture in the chain. Please see illustrations below.



7 DMX-512 CONTROL CONNECTIONS

Connect the provided XLR cable to the female 3-pin XLR output of your controller and the other side to the male 3-pin XLR input of the moving head. You can chain multiple

Moving head together through serial linking. The cable needed should be two core, screened cable with XLR input and output connectors. Please refer to the diagram below.

DMX-512 connection with DMX terminator

